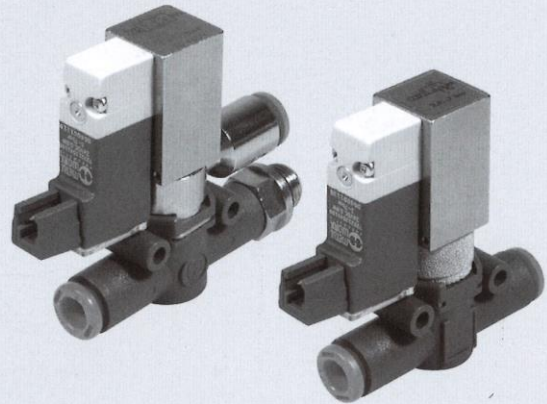
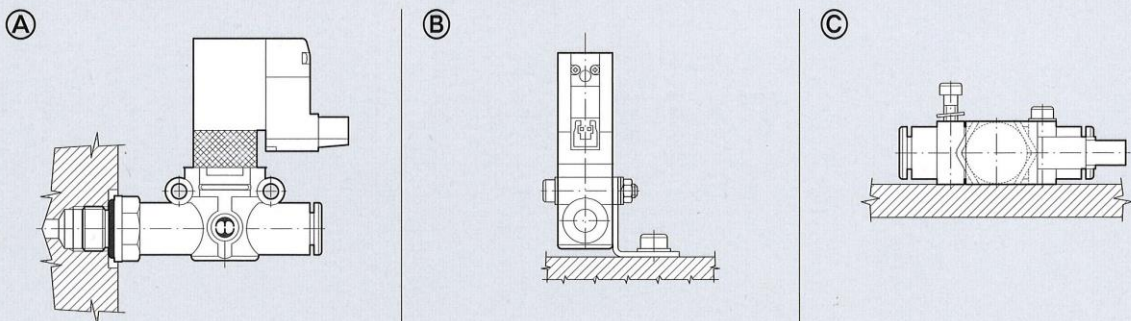


SOV L solenoid valves belong to the LINE ON LINE® family, which means they can be connected to all the other components in series or in parallel. Available in the version for pipe-pipe connection with two push-in fittings, and in the version for thread-pipe connection with a brass nickel-plated male thread and a push-in fitting. Though small in size, SOV L valves are solenoid-piloted and feature very high performance. The spool distributor is fitted with special polyurethane gaskets to ensure a very long working life. Each valve comes complete with a monostable manual control and LED. Exhaust can be dampened with an annular silencer or conveyed via a pipe fitting. The fitting for conveyed exhaust can be oriented freely.



TECHNICAL DATA		Ø 6	Ø 8
Operating pressure	MPa		0.25 - 0.7
	bar		2.5 - 7
	psi		36 - 101
Temperature range	°C		-10 to +60
	°F		+14 to +140
Flow rate at 6.3 bar ΔP 0.5bar	Nl/min	270	500
Flow rate at 6.3 bar ΔP 1 bar	Nl/min	380	700
Conductance C	Nl/min·bar	95.8	178.1
Coefficient b	bar/bar	0.145	0.129
Voltage	VDC		24
Power	W		0.9
Recommended pipe Fluid		Rilsan PA11 - Nylon 6 - Polyamide 12 - Polypropylene Lubricated or unlubricated filtered compressed air	

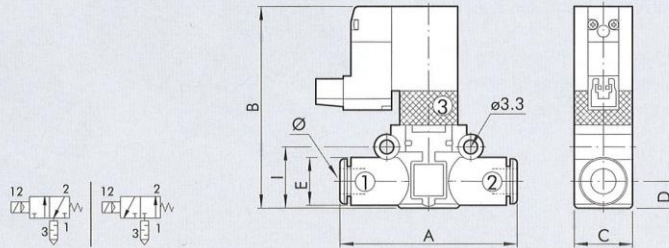
ASSEMBLY OPTIONS



How to mount the SOV L:

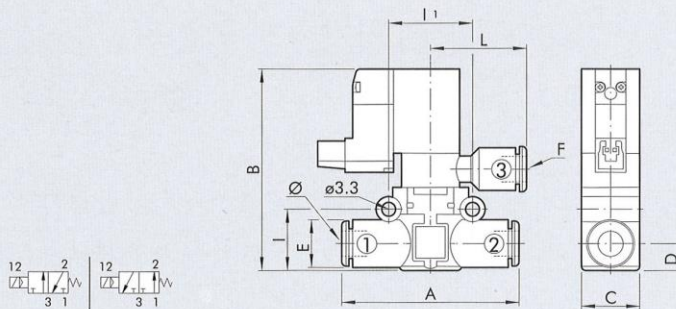
- Fig. (A) With the male threaded port it is possible to mount the SOV L straight onto the actuator.
- Fig. (B) Fixing to the plate with the special SQU L bracket.
- Fig. (C) There are two robust rings on the plastic body for fixing the SOV L straight onto the wall.

SOV L 3/2 NC-NO PIPE-PIPE SILENCED EXHAUST

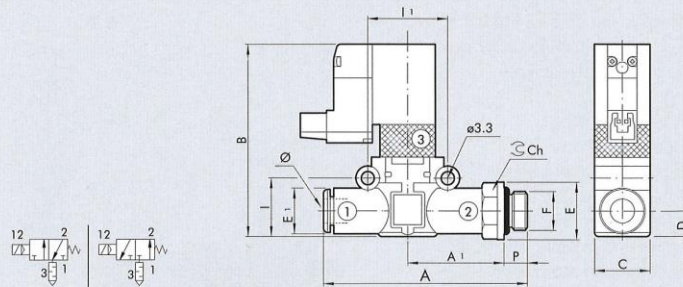


Code	Ref.	Ø	A	B	C	D	E	I	II
480-6	SOV L 3/2 NC 6-6	6	49.4	57.5	14.7	6.4	11.4	14.6	20
481-6	SOV L 3/2 NO 6-6								
480-8	SOV L 3/2 NC 8-8	8	57.3	63.5	18.7	9.1	13.8	18.7	24
481-8	SOV L 3/2 NO 8-8								

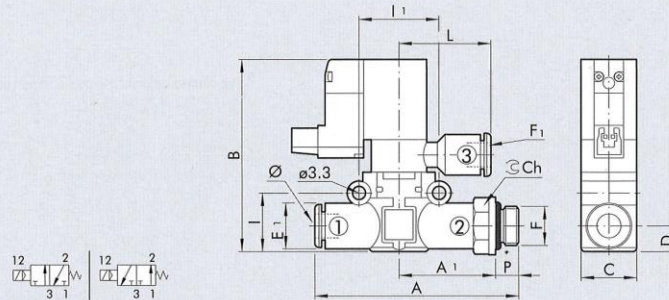
SOV L 3/2 NC-NO PIPE-PIPE CONVEYED EXHAUST



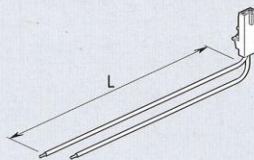
Code	Ref.	Ø	A	B	C	D	E	F	I	II	L
482-6	SOV L 3/2 NC 6-6-6	6	49.4	57.5	14.7	6.4	11.4	Ø 6	14.6	20	28.3
483-6	SOV L 3/2 NO 6-6-6										
482-8	SOV L 3/2 NC 8-8-8	8	57.3	63.5	18.7	9.1	13.8	Ø 8	18.7	24	30
483-8	SOV L 3/2 NO 8-8-8										

SOV L 3/2 NC-NO PIPE-THREAD SILENCED EXHAUST


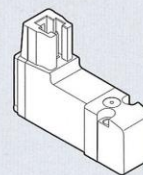
Code	Ref.	Ø	F	P	A	A1	B	C	D	E	E1	I	II	Ch
484.018-6	SOV L 3/2 NC 6-1/8	6	1/8	6	58.5	27.8	57.5	14.7	6.4	14	11.4	14.6	20	12
485.018-6	SOV L 3/2 NO 6-1/8													
484.014-6	SOV L 3/2 NC 6-1/4	6	1/4	8	61.5	28.8	57.5	14.7	6.4	18	11.4	14.6	20	14
485.014-6	SOV L 3/2 NO 6-1/4													
484.018-8	SOV L 3/2 NC 8-1/8	8	1/8	6	66.2	31.3	63.5	18.7	9.1	15	13.8	18.7	24	14
485.018-8	SOV L 3/2 NO 8-1/8													
484.014-8	SOV L 3/2 NC 8-1/4	8	1/4	8	70.6	34.2	63.5	18.7	9.1	18	13.8	18.7	24	14
485.014-8	SOV L 3/2 NO 8-1/4													
484.038-8	SOV L 3/2 NC 8-3/8	8	3/8	9	72.2	34.8	63.5	18.7	9.1	22	13.8	18.7	24	17
485.038-8	SOV L 3/2 NO 8-3/8													

SOV L 3/2 NC-NO PIPE-THREAD CONVEYED EXHAUST


Code	Ref.	Ø	F	P	A	A1	B	C	D	E	E1	F1	I	II	L	Ch
486.018-6	SOV L 3/2 NC 6-1/8-6	6	1/8	6	58.5	27.8	57.5	14.7	6.4	14	11.4	Ø 6	14.6	20	28.3	12
487.018-6	SOV L 3/2 NO 6-1/8-6															
486.014-6	SOV L 3/2 NC 6-1/4-6	6	1/4	8	61.5	28.8	57.5	14.7	6.4	18	11.4	Ø 6	14.6	20	28.3	14
487.014-6	SOV L 3/2 NO 6-1/4-6															
486.018-8	SOV L 3/2 NC 8-1/8-8	8	1/8	6	66.2	31.8	63.5	18.7	9.1	15	13.8	Ø 8	18.7	24	30	14
487.018-8	SOV L 3/2 NO 8-1/8-8															
486.014-8	SOV L 3/2 NC 8-1/4-8	8	1/4	8	70.6	34.2	63.5	18.7	9.1	18	13.8	Ø 8	18.7	24	30	14
487.014-8	SOV L 3/2 NO 8-1/4-8															
486.038-8	SOV L 3/2 NC 8-3/8-8	8	3/8	9	72.2	34.8	63.5	18.7	9.1	22	13.8	Ø 8	18.7	24	30	17
487.038-8	SOV L 3/2 NO 8-3/8-8															

ACCESSORIES
PLUG-IN CONNECTOR


Code	Description
4889	Plug-in connector Mach 11 L = 300

SPARES
PLUG-IN PILOT


Code	Description
	PLT-10 722213541100

Summary Art. No.:

Type No.	Art. No.
480-6	106843
480-8	106844
481-6	106845
481-8	106846
482-6	106847
482-8	106848
483-6	106849
483-8	106850
484.018-6	106851
484.018-8	106852
484.014-6	106853
484.014-8	106854
484.038-8	106855
485.018-6	106856
485.018-8	106857
485.014-6	106858
485.014-8	106859
485.038-8	106860
486.018-6	106861
486.018-8	106862
486.014-6	106863
486.014-8	106864
486.038-8	106865
487.018-6	106866
487.018-8	106867
487.014-6	106868
487.014-8	106869
487.038-8	106870